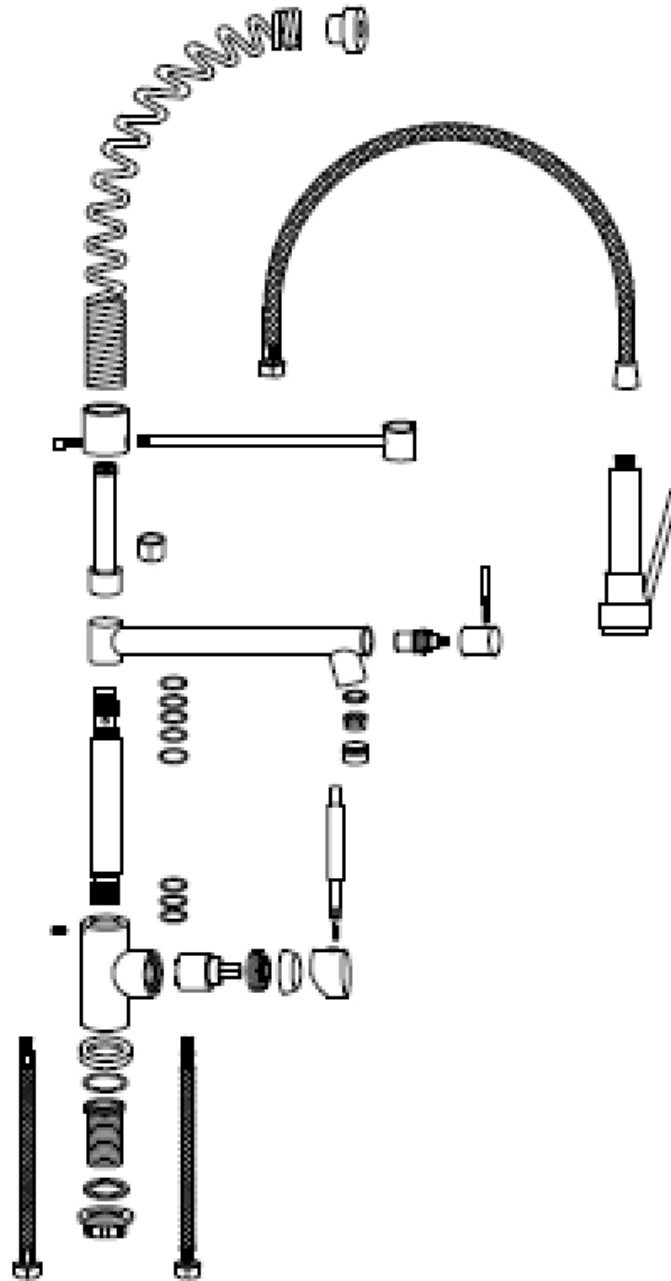


# SINGLE HANDLE PULL-DOWN Models 1003 Series Kitchen Faucet

FOR ALL 1003 SERIES KITCHEN FAUCET, USE THE SAME INSTRUCTIONMANUAL. THE BELOW APPEARANCE OF FAUCET IS FOR YOUR REFERENCE ONLY.

**No. Part Name**

- 1 Shower head
- 2 Washer
- 3 Spout
- 4 Body
- 5 Handle
- 6 Plastic washer
- 7 Rubber washer
- 8 Metal washer
- 9 Lock nut
- 10 Plastic cover
- 11 Washer
- 12 Swivel nut
- 13 Inlet pipes
- 14 Inlet pipes
- 15 Lock wire



**HELPFUL TOOLS:**

For safety and ease of faucet replacement, we recommend the use of these helpful tools **Adjustable Wrench & Phillips Screwdriver.**