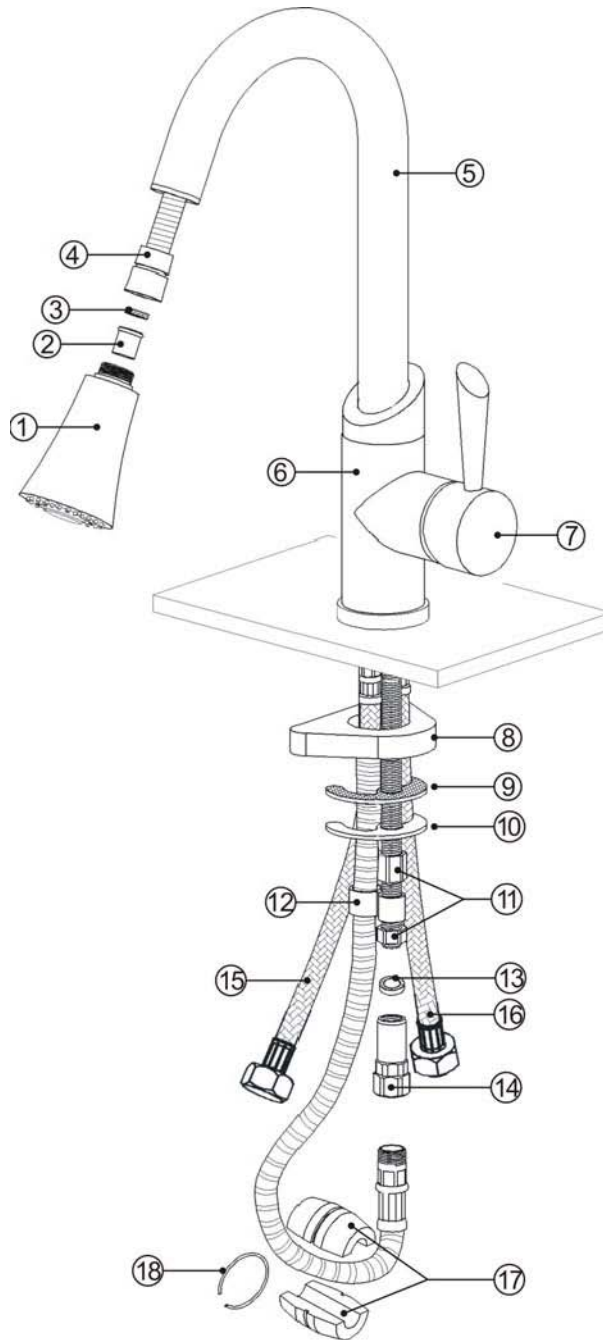


# 1003 – 1007 – 1014 SINGLE HANDLE PULL-DOWN KITCHEN FAUCETS

FOR ALL PULL-DOWN SERIES KITCHEN FAUCET, USE THE SAME INSTRUCTION MANUAL.  
THE BELOW APPEARANCE OF FAUCET IS FOR YOUR REFERENCE ONLY.

No.	Part Name
1	Shower head
2	Check valve with flow restrictor
3	Washer
4	Flexible hose
5	Spout
6	Body
7	Handle
8	Plastic washer
9	Rubber washer
10	Metal washer
11	Lock nut
12	Plastic cover
13	Washer
14	Swivel nut
15	Inlet pipes
16	Inlet pipes
17	Weight
18	Lock wire



## HELPFUL TOOLS:

For safety and ease of faucet replacement, we recommend the use of these helpful tools  
**Adjustable Wrench - Phillips Screwdriver.**

# SINGLE HANDLE PULL-DOWN KITCHEN FAUCET

## Installation Instruction

